

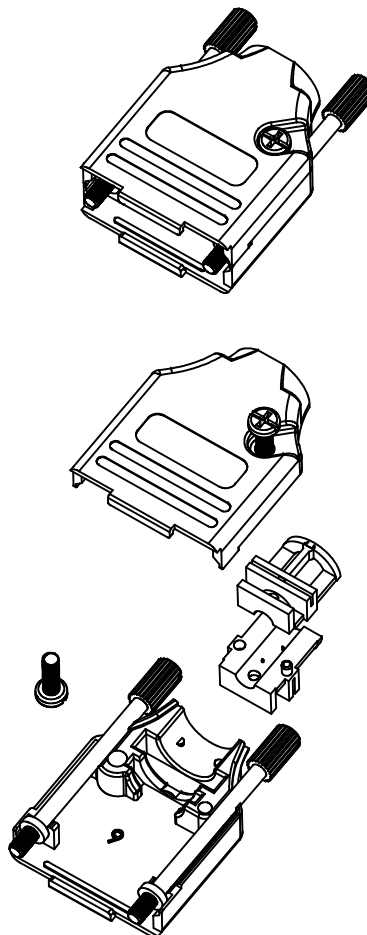
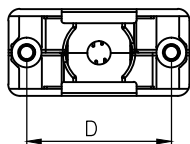
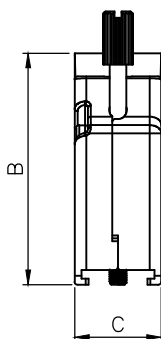
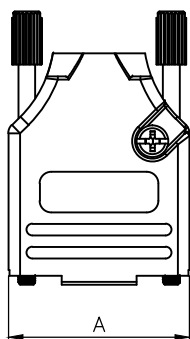
THIS IS A C.A.D. GENERATED DRAWING  
DO NOT MAKE MANUAL REVISIONS TO MASTER.



\* UNLESS OTHERWISE SPECIFIED TOLERANCES  
ON DECIMAL IS: ANGLE  $\pm 1^\circ$   
UNIT: MM .XX  $\pm 0.35$

**BACKSHELL KIT INCLUDES:**

- (2)BACKSHELL HALVES
- (2)4-40 THUMBSCREWS
- (2)HOUSING SCREWS
- (1)SET OF COMPRESSION INSERTS-VARIOUS SIZES  
DIAMETERS 4mm(.157"), 5mm(.167"), 7mm(.276"), 9mm(.354")



DIMENSIONS(mm/in)				
SIZE	A $\pm 0.50$ $\pm 0.02$	B $\pm 0.50$ $\pm 0.02$	C $\pm 0.50$ $\pm 0.02$	D $\pm 0.25$ $\pm 0.01$
9	31.20	39.90	15.00	24.99
	1.228	1.571	0.591	0.984
15	39.50	41.50	15.00	33.32
	1.555	1.634	0.591	1.312
25	53.40	48.60	15.00	47.04
	2.102	1.913	0.591	1.852
37	69.70	53.60	15.00	63.50
	2.744	2.110	0.591	2.500

**ORDERING INFORMATION:**

SIZE	P/N - KITTED	PRODUCT CODE
9-WAY	6560-0605-01	MHDTZK-9-RA-K
15-WAY	6560-0605-02	MHDTZK-15-RA-K
25-WAY	6560-0605-03	MHDTZK-25-RA-K
37-WAY	6560-0605-04	MHDTZK-37-RA-K

SIZE	P/N - BULK	PRODUCT CODE
9-WAY	6561-0605-01	MHDTZK-9-RA
15-WAY	6561-0605-02	MHDTZK-15-RA
25-WAY	6561-0605-03	MHDTZK-25-RA
37-WAY	6561-0605-04	MHDTZK-37-RA

BACKSHELL MATERIAL: DIE-CAST ZINC ALLOY  
PLATING: NICKEL  
JACKSCREWS: STEEL:ZN PLATED  
M3 HOODSCREWS: STEEL:ZN PLATED  
COMPRESSION INSERT: ABS,UL RECOGNIZED  
OPERATING TEMP: -40°C TO+120°C

THESE DRAWINGS AND SPECIFICATIONS ARE THE PROPERTY OF MH CONNECTORS LTD. AND SHALL NOT BE REPRODUCED, COPIED OR USED AS THE BASIS FOR THE MANUFACTURE OR SALE OF APPARATUS WITHOUT WRITTEN PERMISSION.

DRAWN JOHNNY	DATE 06-24-15
APPROVED	DATE



THIS SERIES FULLY CONFORMS TO THE EUROPEAN UNION DIRECTIVES 2002/95/EC AND 2002/96/EC FOR RoHS COMPLIANCY.



**MH CONNECTORS LTD.**

SCALE 1:1	SHEET OF 1 OF 1	REV: 4.0
--------------	--------------------	-------------

DRAWING No  
MHDTZK-RA