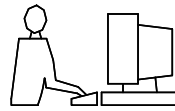
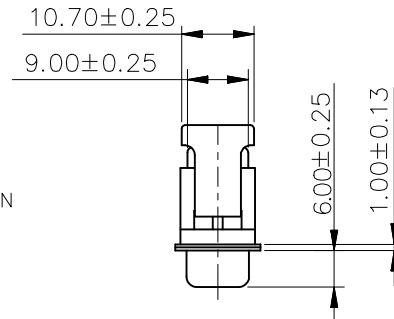
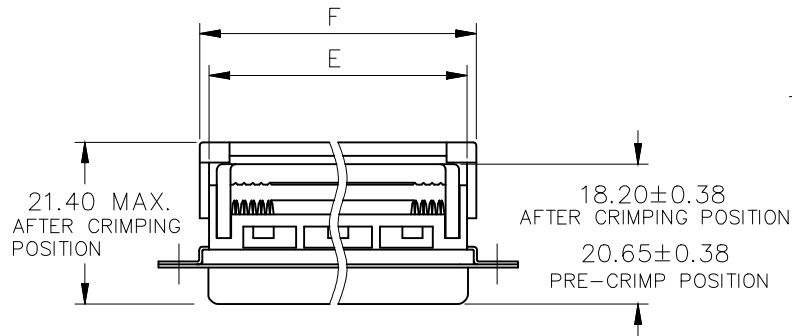


THIS IS A C.A.D. GENERATED DRAWING
DO NOT MAKE MANUAL REVISIONS TO MASTER.

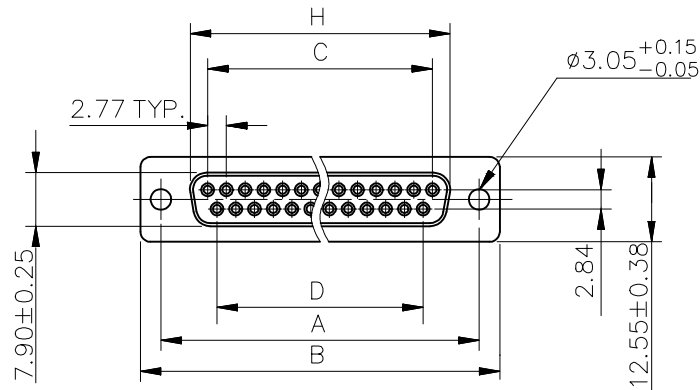


* UNLESS OTHERWISE SPECIFIED TOLERANCES
ON DECIMAL IS: ANGLE ± 1°
UNIT: MM .XX ±0.25



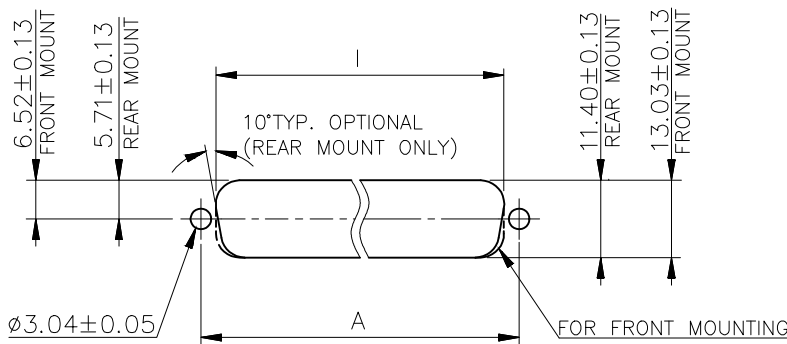
Order Codes:

Socket Connector		3.1mm Thru-Holes
09	2104-0201-41	MHDF2-09-SS-SM
15	2104-0201-42	MHDF2-15-SS-SM
25	2104-0201-43	MHDF2-25-SS-SM
37	2104-0201-44	MHDF2-37-SS-SM



SPECIFICATION:

- CURRENT RATING: 1 AMP
- INSULATION RESISTANCE: ≥1000 MΩ MIN.(AT 500V DC)
- DIELECTRIC WITHSTANDING VOLTAGE: AC 500V MIN.(FOR 1 MINUTE)
- OPERATING TEMPERATURE : -55°C TO 105°C.
- CONTACT RESISTANCE: ≤15mΩ.
- DIELECTRIC MATERIAL: PBT WITH GLASS-FIBER REINFORCED UL 94V-0.
- CONTACT MATERIAL: PHOSPHOR BRONZE.
- CONTACT PLATING: GOLD OVER NICKEL.
- WIRE SIZE: AWG 26 & 28 STRANDED, 1.27mm CONDUCTOR CENTRE FLAT CABLE.



RECOMMENDED PANEL CUTOUT DIMENSIONS

Order Information	Dimensions(mm)									
	Part Number	Size	A±0.13	B±0.25	C±0.13	D±0.13	E±0.25	F±0.25	H±0.25	I±0.13 REAR MOUNTING
MHDF2-09-SS-SM	09	24.99	30.80	11.08	8.31	16.10	18.60	16.33	20.47	22.20
MHDF2-15-SS-SM	15	33.32	39.10	19.39	16.62	24.00	26.60	24.66	28.80	30.53
MHDF2-25-SS-SM	25	47.04	53.09	33.24	30.47	38.14	40.90	38.38	42.52	44.27
MHDF2-37-SS-SM	37	63.50	69.40	49.86	47.09	54.60	57.10	54.84	59.08	60.73

THESE DRAWINGS AND SPECIFICATIONS ARE THE PROPERTY OF MH CONNECTORS LTD. AND SHALL NOT BE REPRODUCED, COPIED OR USED AS THE BASIS FOR THE MANUFACTURE OR SALE OF APPARATUS WITHOUT WRITTEN PERMISSION.

DRAWN
HALEY
DATE
09-24-13

APPROVED
DAMIEN
DATE
09-26-13

SCALE
SHEET OF
1 OF 1
REV:
3.0

DRAWING No
MHDF2-XX-SS-SM



THIS SERIES FULLY CONFORMS TO THE EUROPEAN UNION DIRECTIVES 2002/95/EC AND 2002/96/EC FOR RoHS COMPLIANCY.



MH CONNECTORS LTD.