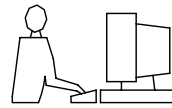


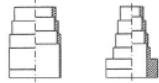
THIS IS A C.A.D. GENERATED DRAWING  
DO NOT MAKE MANUAL REVISIONS TO MASTER.



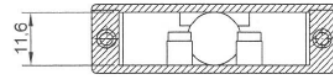
\* UNLESS OTHERWISE SPECIFIED TOLERANCES  
ON DECIMAL IS: ANGLE  $\pm 1^\circ$   
UNIT: MM .XX  $\pm 0.35$

**BACKSHELL KIT INCLUDES:**

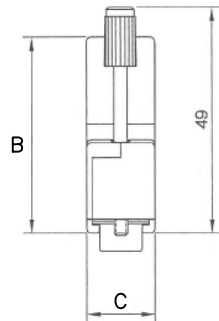
- (2)BACKSHELL HALVES
- (3)4-40 THUMBSCREWS
- (2)CLAMP SCREWS
- (2)CLAMP
- (1)BLANKING PLUG
- (1)SET OF COMPRESSION INSERTS-VARIOUS SIZES FOR 9-37



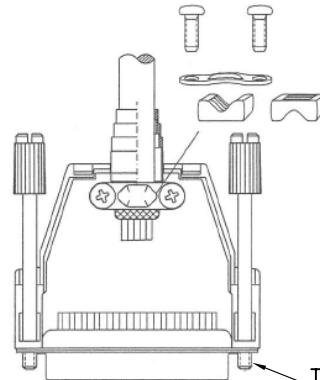
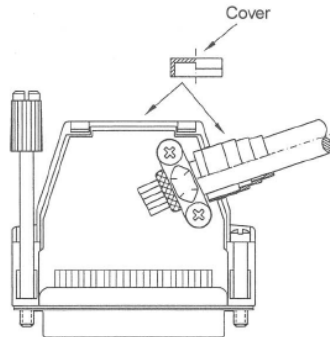
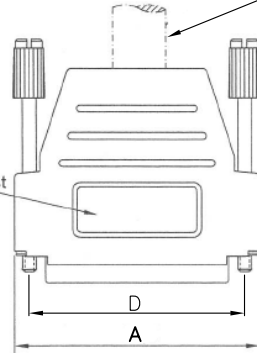
Bypacked 2 grommets,  
only with metalized version.  
(Optional for plastic version)



max O.D 11,5mm



Logo upon request



Thread UNC4-40

BACKSHELL MATERIAL: ABS,UL RECOGNIZED  
PLATING: NICKEL  
JACKSCREWS: STEEL:ZIN PLATED WITH PLASTIC KNOB  
COMPRESSION INSERT: ABS,UL RECOGNIZED  
CLAMP SCREW: STEEL:ZIN PLATED  
OPERATING TEMP: -55°C TO+110°C



THIS SERIES FULLY CONFORMS TO THE  
EUROPEAN UNION DIRECTIVES 2002/95/EC  
AND 2002/96/EC FOR RoHS COMPLIANCY.



MH CONNECTORS LTD.

DIMENSIONS(mm/in)				
SIZE	A $\pm 0.25$ $\pm 0.10$	B $\pm 0.25$ $\pm 0.10$	C $\pm 0.25$ $\pm 0.10$	D $\pm 0.13$ $\pm 0.05$
9	31.5	40.0	15.00	24.99
	1.240	1.575	0.591	0.984
15	40.0	40.0	15.00	33.32
	1.575	1.575	0.591	1.312
25	53.5	43.0	15.00	47.04
	2.106	1.693	0.591	1.852
37	71.3	40.0	15.00	63.50
	2.807	1.575	0.591	2.500

**ORDERING INFORMATION:**

SIZE	P/N - KITTED	PRODUCT CODE
9-WAY	6260-0106-01	MHDSSK-M-09-L-K
15-WAY	6260-0106-02	MHDSSK-M-15-L-K
25-WAY	6260-0106-03	MHDSSK-M-25-L-K
37-WAY	6260-0106-14	MHDSSK-M-37-S-K

SIZE	P/N - BULK	PRODUCT CODE
9-WAY	6261-0106-01	MHDSSK-M-09-L
15-WAY	6261-0106-02	MHDSSK-M-15-L
25-WAY	6261-0106-03	MHDSSK-M-25-L
37-WAY	6261-0106-14	MHDSSK-M-37-S

THESE DRAWINGS AND SPECIFICATIONS ARE THE  
PROPERTY OF MH CONNECTORS LTD. AND SHALL NOT  
BE REPRODUCED, COPIED OR USED AS THE BASIS FOR  
THE MANUFACTURE OR SALE OF APPARATUS WITHOUT  
WRITTEN PERMISSION.

DRAWN Johnny	DATE 12-04-12
APPROVED	DATE

SCALE 1:1	SHEET OF 1 OF 1	REV: 1.0
--------------	--------------------	-------------

DRAWING No  
MHDSSK-M-XX-L/S