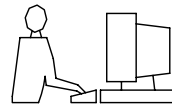
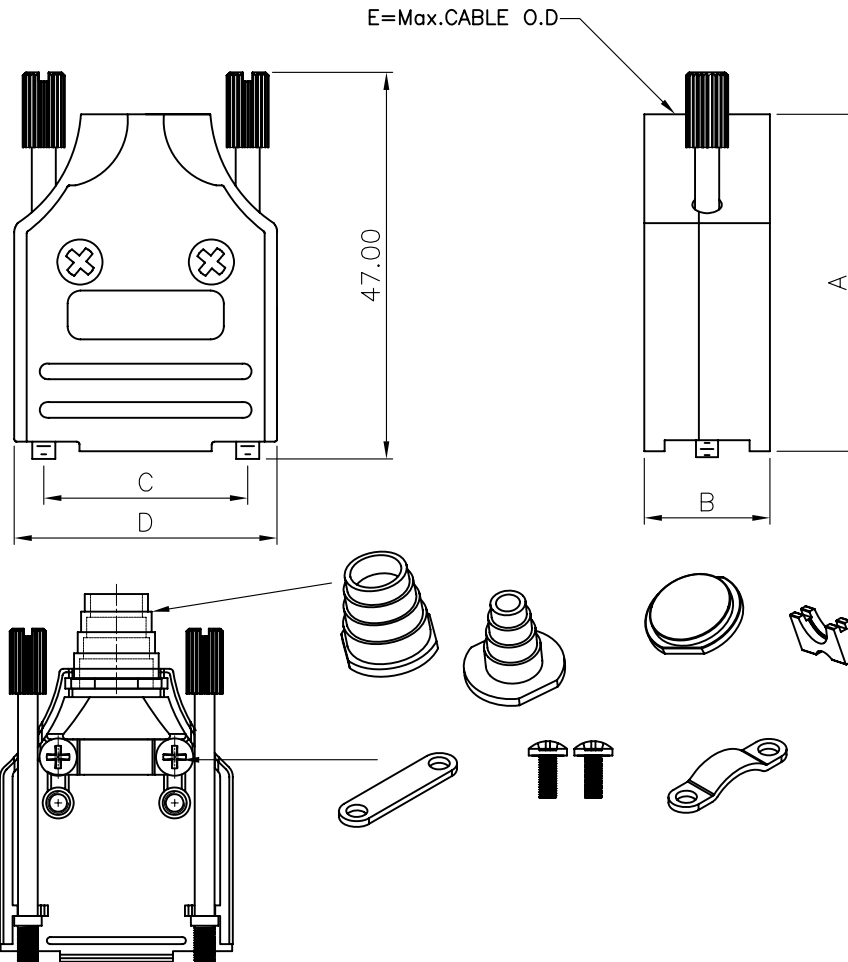


THIS IS A C.A.D. GENERATED DRAWING  
DO NOT MAKE MANUAL REVISIONS TO MASTER.



\* UNLESS OTHERWISE SPECIFIED TOLERANCES  
ON DECIMAL IS: ANGLE  $\pm 1^\circ$   
UNIT: MM .XX  $\pm 0.35$

- BACKSHELL KIT INCLUDES:  
 (2) BACKSHELL HALVES  
 (2) STRAIN RELIEF CLAMPS  
 (2) STRAIN RELIEF SCREWS  
 (2) MOUNTING SCREWS  
 (2) THUMBSCREWS  
 (1) GORMMET



DIMENSIONS(mm/in)					
SIZE	A $\pm_{\pm 0.12}^{.30}$	B $\pm_{\pm 0.20}^{.50}$	C $\pm_{\pm 0.10}^{.25}$	D $\pm_{\pm 0.20}^{.50}$	E
9	41.3	15.4	24.99	32.2	13.0
	1.626	0.606	0.984	1.268	0.512
15	43.3	15.4	33.32	40.6	13.0
	1.705	0.606	1.312	1.598	0.512
25	49.5	15.4	47.04	54.5	13.0
	1.949	0.606	1.852	2.146	0.512
37	54.3	15.4	63.50	70.7	13.0
	2.138	0.606	2.500	2.783	0.512

ORDERING INFORMATION:

SIZE	P/N - KITTED	PRODUCT CODE
9-WAY	6560-0137-01	MHEE-9-K
15-WAY	6560-0137-02	MHEE-15-K
25-WAY	6560-0137-03	MHEE-25-K
37-WAY	6560-0137-04	MHEE-37-K

BACKSHELL: MATERIAL: DIE CAST ZINC  
 PLATING: NICKEL PLATED  
 COMPRESSION INSERT: ABS-UL RECOGNIZED  
 4-40 THUMBSCREWS: STEEL-Zn PLATED  
 HOUSING SCREWS: STEEL-Zn PLATED  
 STRAIN RELIEF CLAMP: STEEL-NICKEL PLATED  
 STRAIN RELIEF SCREWS: STEEL-Zn PLATED  
 OPERATING TEMP: -40°C TO+120°C



THIS SERIES FULLY CONFORMS TO THE  
EUROPEAN UNION DIRECTIVES 2002/95/EC  
AND 2002/96/EC FOR RoHS COMPLIANCY.



THESE DRAWINGS AND SPECIFICATIONS ARE THE  
PROPERTY OF MH CONNECTORS LTD. AND SHALL NOT  
BE REPRODUCED, COPIED OR USED AS THE BASIS FOR  
THE MANUFACTURE OR SALE OF APPARATUS WITHOUT  
WRITTEN PERMISSION.

MH CONNECTORS LTD.

DRAWN Johnny		DATE 12-27-12	
APPROVED		DATE	
SCALE 1:1	SHEET OF 1 OF 1	REV: 1.0	
DRAWING No MHEEXX-K			