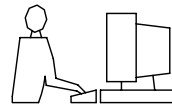


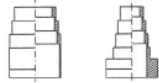
THIS IS A C.A.D. GENERATED DRAWING
DO NOT MAKE MANUAL REVISIONS TO MASTER.



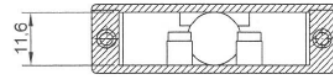
* UNLESS OTHERWISE SPECIFIED TOLERANCES
ON DECIMAL IS: ANGLE $\pm 1^\circ$
UNIT: MM .XX ± 0.35

BACKSHELL KIT INCLUDES:

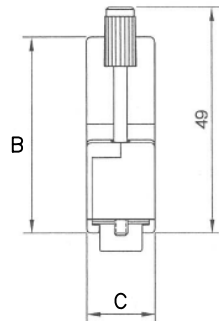
- (2)BACKSHELL HALVES
- (3)4-40 THUMBSCREWS
- (2)CLAMP SCREWS
- (2)CLAMP
- (1)BLANKING PLUG
- (1)SET OF COMPRESSION INSERTS-VARIOUS SIZES FOR 9-37



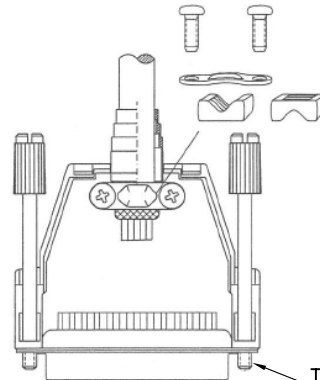
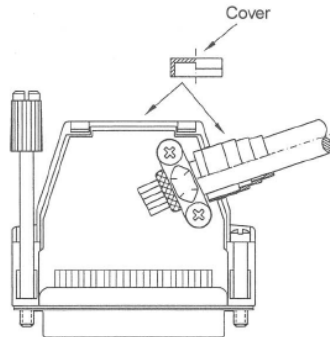
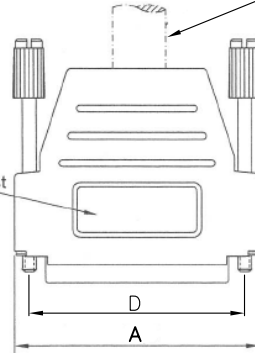
Bypacked 2 grommets,
only with metalized version.
(Optional for plastic version)



max O.D 11,5mm



Logo upon request



Thread UNC4-40

BACKSHELL MATERIAL: ABS,UL RECOGNIZED BLACK
JACKSCREWS: STEEL:ZN PLATED WITH PLASTIC KNOB
COMPRESSION INSERT: ABS,UL RECOGNIZED
CLAMP SCREW: STEEL:ZN PLATED
OPERATING TEMP: -55°C TO+110°C



THIS SERIES FULLY CONFORMS TO THE
EUROPEAN UNION DIRECTIVES 2002/95/EC
AND 2002/96/EC FOR RoHS COMPLIANCY.



THESE DRAWINGS AND SPECIFICATIONS ARE THE
PROPERTY OF MH CONNECTORS LTD. AND SHALL NOT
BE REPRODUCED, COPIED OR USED AS THE BASIS FOR
THE MANUFACTURE OR SALE OF APPARATUS WITHOUT
WRITTEN PERMISSION.

MH CONNECTORS LTD.

DIMENSIONS(mm/in)				
SIZE	A ± 0.25 ± 0.10	B ± 0.25 ± 0.10	C ± 0.25 ± 0.10	D ± 0.13 ± 0.05
9	31.5	40.0	15.00	24.99
	1.240	1.575	0.591	0.984
15	40.0	40.0	15.00	33.32
	1.575	1.575	0.591	1.312
25	53.5	43.0	15.00	47.04
	2.106	1.693	0.591	1.852
37	71.3	40.0	15.00	63.50
	2.807	1.575	0.591	2.500

ORDERING INFORMATION:

SIZE	P/N - KITTED	PRODUCT CODE
9-WAY	6260-0107-01	MHDSSK-P-09-L-K
15-WAY	6260-0107-02	MHDSSK-P-15-L-K
25-WAY	6260-0107-03	MHDSSK-P-25-L-K
37-WAY	6260-0107-14	MHDSSK-P-37-S-K

SIZE	P/N - BULK	PRODUCT CODE
9-WAY	6261-0107-01	MHDSSK-P-09-L
15-WAY	6261-0107-02	MHDSSK-P-15-L
25-WAY	6261-0107-03	MHDSSK-P-25-L
37-WAY	6261-0107-14	MHDSSK-P-37-S

DRAWN Johnny		DATE 12-04-12	
APPROVED		DATE	
SCALE 1:1	SHEET OF 1 OF 1	REV: 1.0	
DRAWING No MHDSSK-P-XX-L/S			