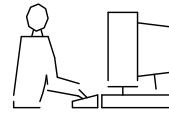
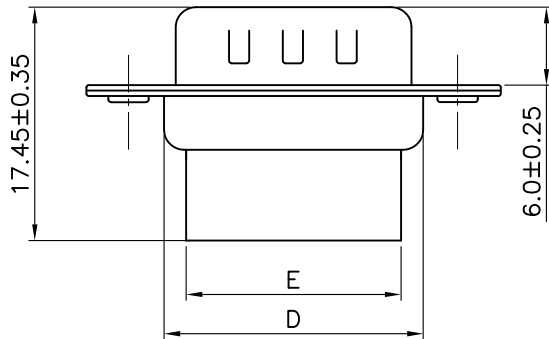
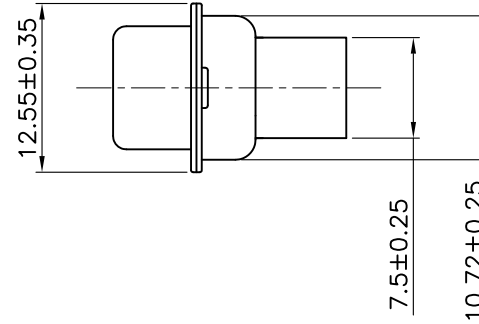
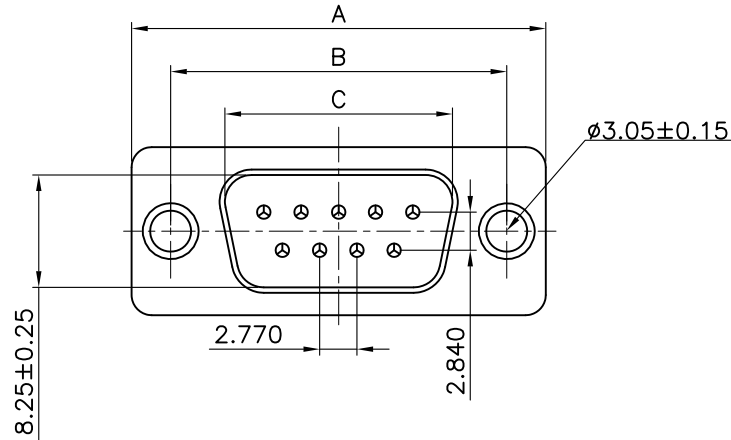


THIS IS A C.A.D. GENERATED DRAWING  
DO NOT MAKE MANUAL REVISIONS TO MASTER.



\* UNLESS OTHERWISE SPECIFIED TOLERANCES

ON DECIMAL IS: ANGLE ± 1°  
.X ± 0.35  
.XX ± 0.25  
.XXX ± 0.15



NOTES:

1.SPECIFICATION:

Rated voltage:250V  
Rated current:3AMP  
Contact resistance:30mΩ MAX  
Insulation resistance:1000MΩ MIN.at 500V DC  
Withstand voltage:500V Per minute  
Temperature range:-55 -105°C

2.MATERIAL:

Plastic:PBT+30% G.F (UL94V-0) BLACK  
Shell:Spcc front shell nickle plated , back shell tin plated

PIN	A±0.25	B±0.25	C±0.25	D±0.25	E±0.25
09	30.81	24.99	16.92	19.28	15.50
15	39.25	33.32	25.25	27.75	24.00
25	53.03	47.04	38.96	41.30	38.00
37	69.50	63.50	55.42	57.40	54.40

THESE DRAWINGS AND SPECIFICATIONS ARE THE PROPERTY OF MH CONNECTORS LTD. AND SHALL NOT BE REPRODUCED, COPIED OR USED AS THE BASIS FOR THE MANUFACTURE OR SALE OF APPARATUS WITHOUT WRITTEN PERMISSION.

DRAWN Johnny	DATE 12-20-12
APPROVED	DATE

SCALE 1:1	SHEET OF 1 OF 1	REV: 1
--------------	--------------------	-----------

DRAWING No  
MHDBC09/15/25/37-SP



THIS SERIES FULLY CONFORMS TO THE EUROPEAN UNION DIRECTIVES 2002/95/EC AND 2002/96/EC FOR RoHS COMPLIANCY.



MH CONNECTORS LTD.